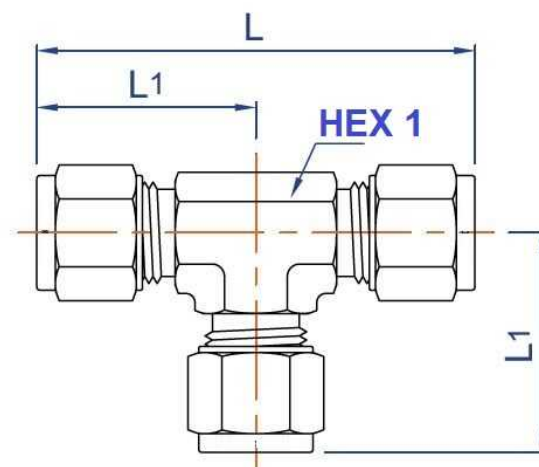


Racor Doble Anillo Trale LOK

Uniones tubo-tubo

Racor unión en T tubo - tubo

Acero Inoxidable AISI 316-L-1.4404



Artículo	ØD1	Ø int	L	L1	HEX 1
ZKT02	1/8"	2.28	54,35	27,17	1/2"
ZKT04	1/4"	5.08	54,35	27,17	1/2"
ZKT05	5/16"	6.35	58,92	29,46	5/8"
ZKT06	3/8"	7.11	60,96	30,48	5/8"
ZKT08	1/2"	10.41	73,15	36,57	13/16"
ZKT10	5/8"	12.7	79,75	39,87	1"
ZKT12	3/4"	15.49	79,75	39,87	1"
ZKT16	1"	17.78	101,6	50,8	1"3/8
ZKT06M	6	5	54,4	27,2	1/2"
ZKT08M	8	6.5	59	29,5	5/8"
ZKT10M	10	7.9	63,2	31,6	11/16"
ZKT12M	12	9.5	73,2	36,6	13/16"
ZKT14M	14	11.1	80	40	1"
ZKT15M	15	11.9	80	40	1"
ZKT16M	16	12.7	80	40	1"
ZKT18M	18	15	80	40	1"
ZKT20M	20	16	95	47,5	1"3/8
ZKT22M	22	18	95	47,5	1"3/8
ZKT25M	25	22	101,4	50,7	1"3/8